


PRODUCT SHEET

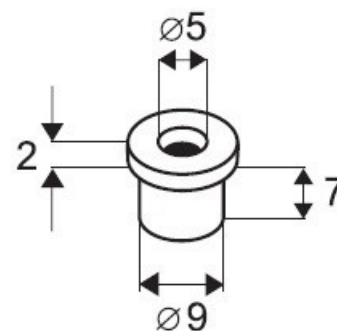
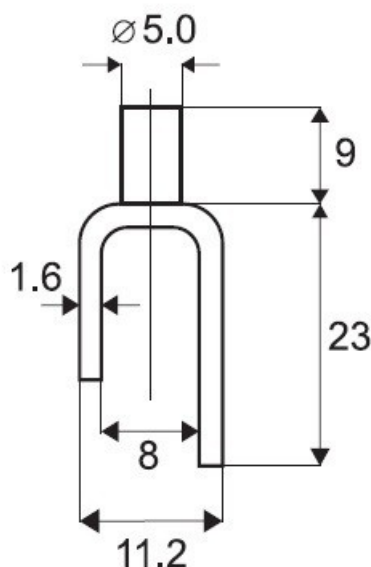
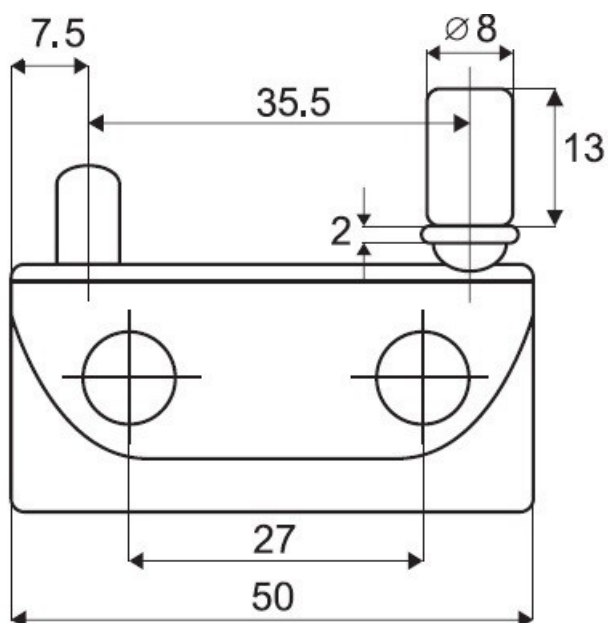
Description:

Glass Pivot Hinge 11.300, CPL, W/NPL Metal Screw W/Soft Tip, Bushing $\varnothing 9 \times 7$ mm Black Plast

Item number:

15.06.036-5

Units	Box	Carton	HS Code	Barcode
Pair	1	250	8302100090	 5704866053853



SISO A/S

Mileparken 11
DK-2740 Skovlunde
Denmark
VAT: DK 24786013

Phone +45 45 830 900

www.siso.dk
siso@siso.dk

Danske Bank
Nytorv Branch
Copenhagen
SWIFT: DABADKKK

Account no.
4180 3112 112936
IBAN Account
DK7230003112112936